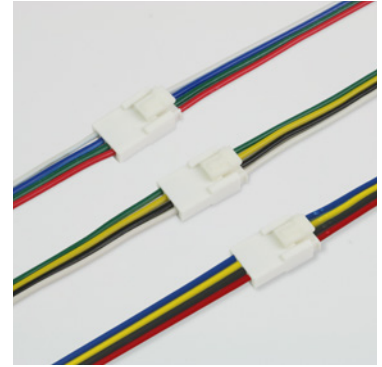


# 4 Pin IP20 Connectors

## Specification sheet

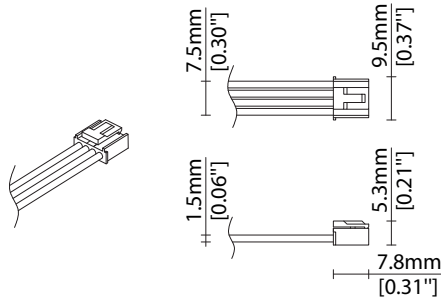
### PRODUCT SPECIFICATION

<b>Dimensions</b>	H8/W12.8/L17mm (H0.32/W0.5/L0.67in) - 4 pin, male + female connected
<b>Operating Temp</b>	T <sub>a</sub> = -25 to 85°C (-13 to 185°F)
<b>IP Rating</b>	IP20
<b>Finish</b>	White
<b>Shell Materials</b>	Nylon PA66, fire resistance (UL94): V-0
<b>Contact Materials</b>	Brass with phosphor bronze plating
<b>Rated Current</b>	AC/DC 3A
<b>Rated Voltage</b>	AC/DC 250V
<b>Test Voltage</b>	1000V (AC. V/1min)
<b>Contact Resistance</b>	30mΩ
<b>Insulation Resistance</b>	1000MΩ
<b>Applicable Wire</b>	22-28 AWG
<b>Applicable products</b>	FX RGB, GROOVE In RGB, GROOVE Light RGB, KURV-Y RGB, LINI Blade-S R207, LINI Blade-S RGB, LINI Glow XL RGB, LINI Glow XL R207, LINI-R R207, LINI-R RGB, LINI-R XL R207, LINI-R XL RGB, LINI-S Glow R207, LINI-S Glow R209, LINI-S R207, LINI-S RGB, LINI-S XL R207, LINI-S XL RGB, TANA RGB, TANA Micro R207, TANA R207, TIMI R207, TIMI RGB, TIMI-C R207, TIMI-M R207, TIMI-M RGB

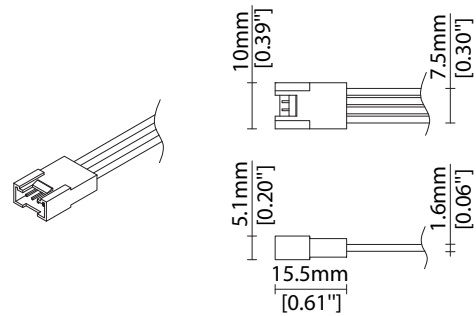


RGB, LEDmix R207, LEDmix R209

#### Female

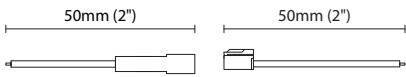


#### Male

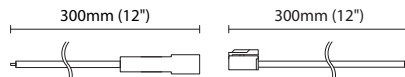


### RGB

#### KKCN-07 (50mm pair) 4 PIN RGB male+female



#### KKCN-09 (300mm pair) 4 PIN RGB male+female



#### KKCN-11 4 PIN RGB 300mm extension lead



### LEDmix R207

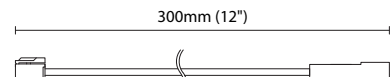
#### KKCN-18 (50mm pair) 4 PIN R207 LEDmix male+female



#### KKCN-19 (300mm pair) 4 PIN R207 LEDmix male+female



#### KKCN-24 4 PIN R207 LEDmix 300mm extension lead



### LEDmix R209

#### KKCN-35 (50mm pair) 4 PIN R209 LEDmix male+female



#### KKCN-36 (300mm pair) 4 PIN R209 LEDmix male+female



#### KKCN-37 4 PIN R209 LEDmix 300mm extension lead

